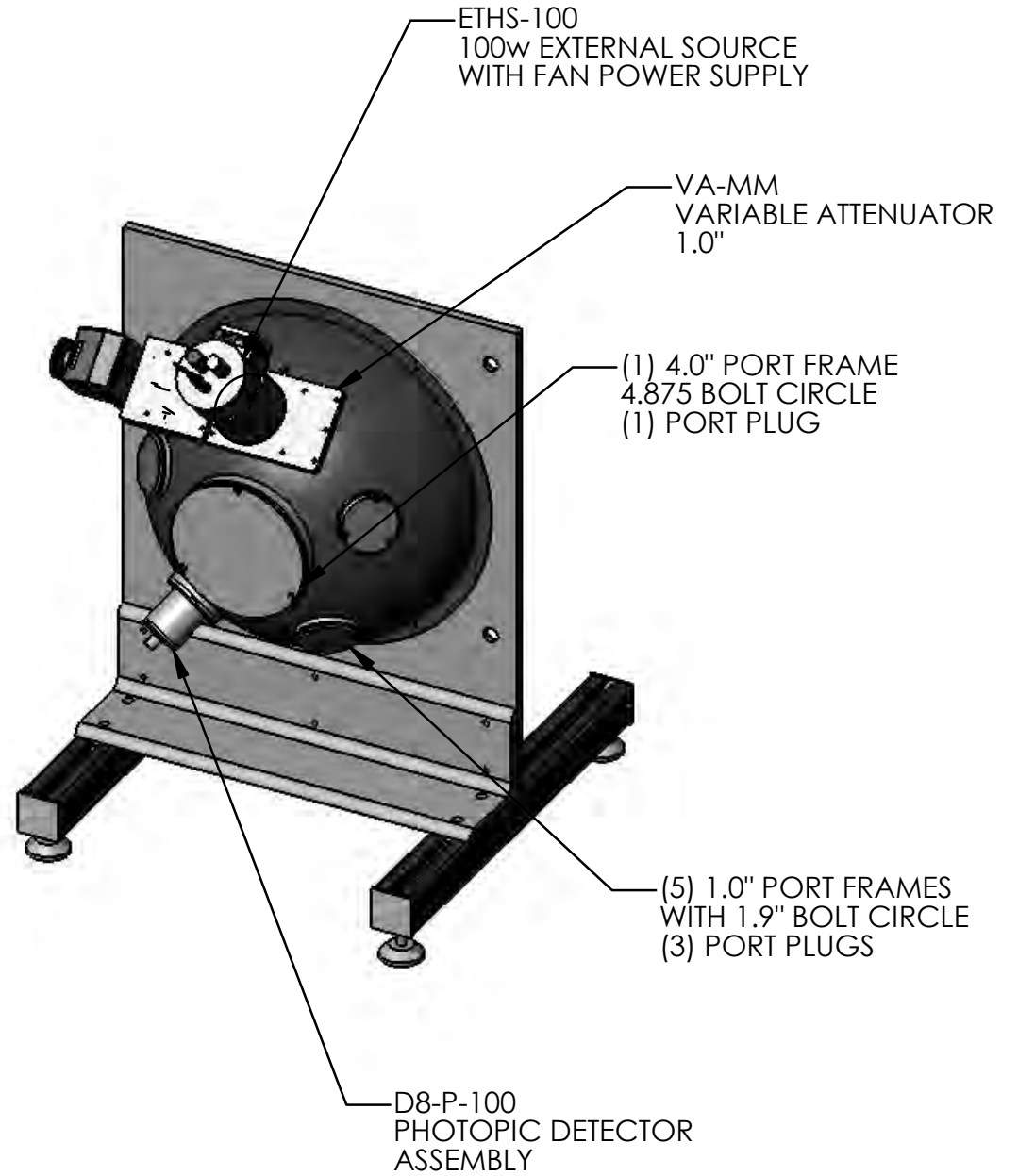
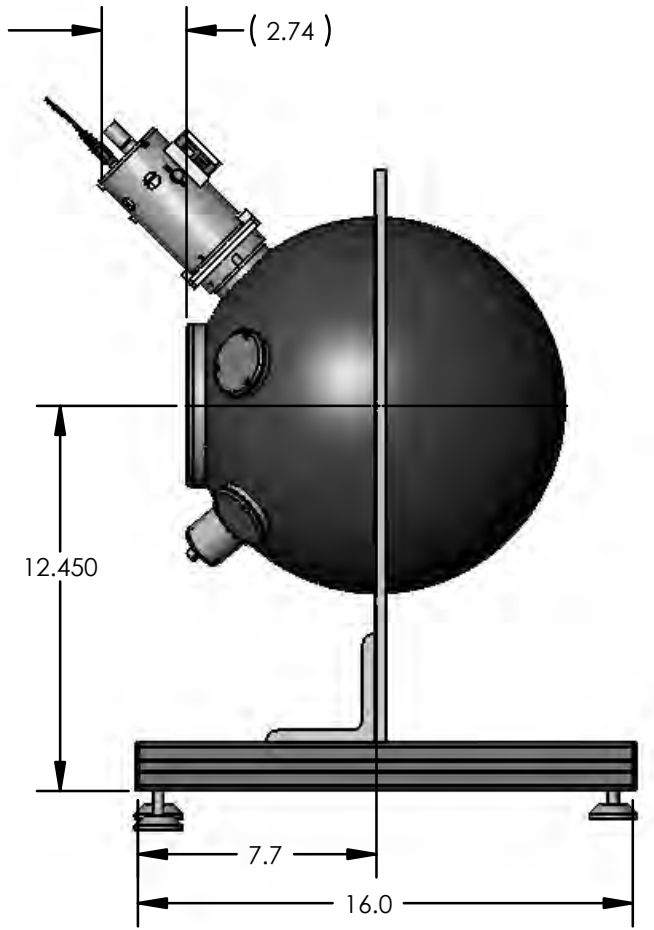
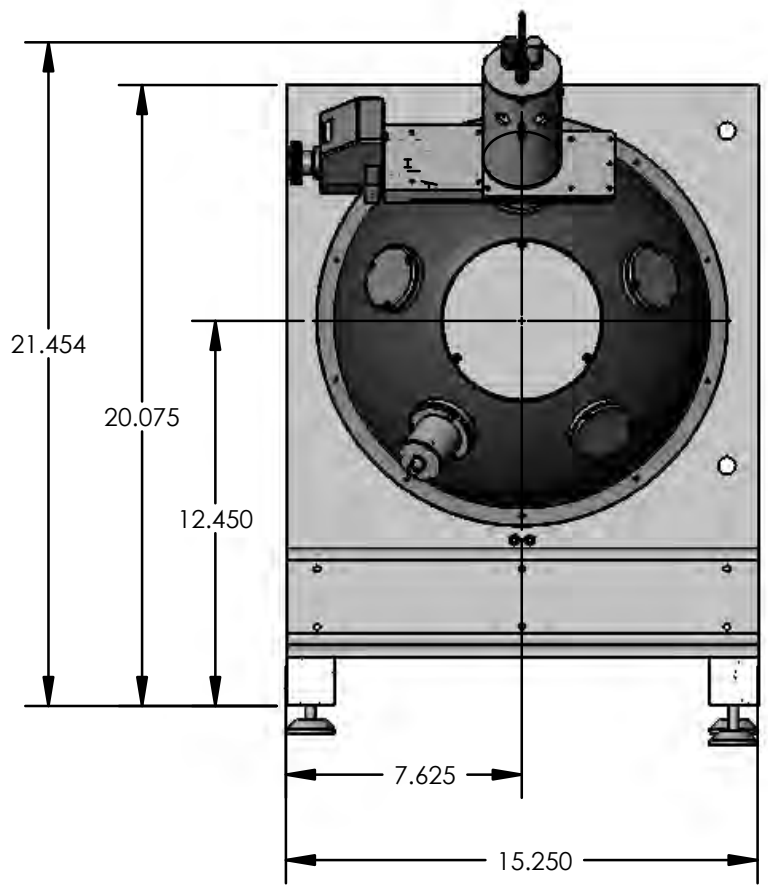


PROPRIETARY RIGHTS: This material constitutes confidential trade secrets, proprietary information of SphereOptics Hoffman LLC.; the unauthorized use, dissemination or copying of this material is prohibited. This material also constitutes unpublished material protected under the provisions of the United States Copyright act. This document is to be returned upon the earlier of demand or the accomplishment of the purpose for which it was provided.

REVISIONS					
CHECKED	ECO/EV	REV.	DESCRIPTION	DATE	APPROVED



UNLESS OTHERWISE SPECIFIED
 DIMENSIONS ARE IN INCHES
 THREE PLACE DECIMAL: ±.005
 TWO PLACE DECIMAL: ±.01
 FRACTIONAL: ±1/64
 ANGLES: ±30"
 SURFACE FINISH: 63 Ra
 BREAK EDGES: .005-.010

CAD GENERATED DRAWING.
 DO NOT MANUALLY UPDATE

SphereOptics Hoffman LLC.
 881 Main St. PO Box 669
 Contoocook NH 03229

MATERIAL: N/A
 FINISH: N/A
 DO NOT SCALE DRAWING

APPROVALS	DATE
DRAWN	
APPROVED	
RESP ENG	
MFG ENG	
QUAL ENG	

L/R SYSTEM, 12" OPTOWHITE

SIZE: B	DWG. NO.:	REV: 00
SCALE: 1:4	SHEET 1 OF 1	

Path/File: