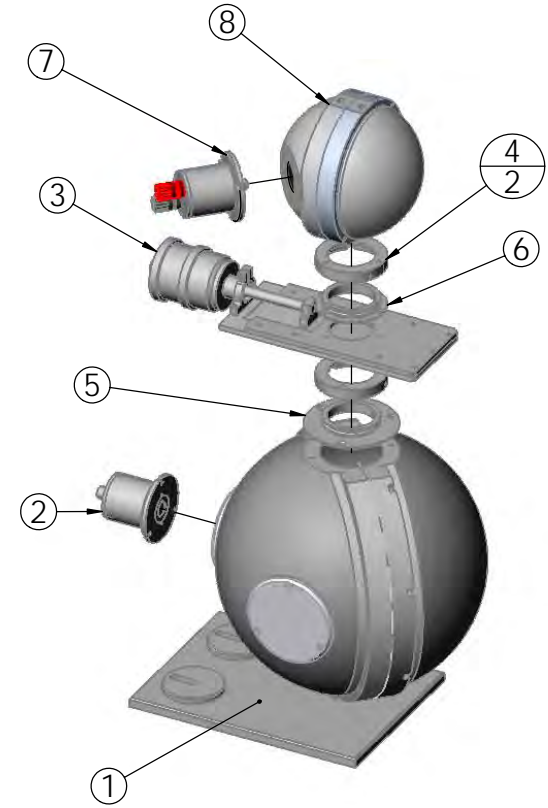
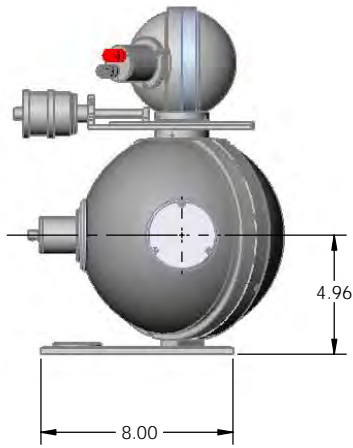
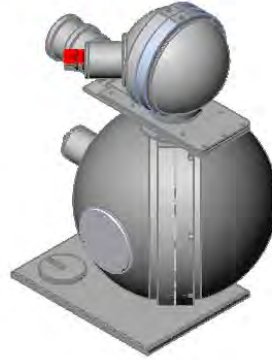
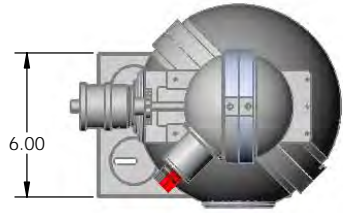


PROPRIETARY RIGHTS: This material constitutes confidential trade secrets, proprietary information of SphereOptics, LLC. The unauthorized use, dissemination or copying of this material is prohibited. This material also constitutes unpublished material protected under the provisions of the United States Copyright act. This document is to be returned upon the earlier of demand or the accomplishment of the purpose for which it was provided.

CHECKED	ECO	REV	DESCRIPTION	REVISIONS	DATE	APPROVED



UNLESS OTHERWISE SPECIFIED DIMENSIONS ARE IN INCHES		CAD GENERATED DRAWING. DO NOT MANUALLY UPDATE		SphereOptics, LLC 881 Main St. PO Box 669 Cantoncook NH 03229	
THREE PLACE DECIMAL: #005	APPROVALS	DATE	8" LR LOW LIGHT LEVEL LUMINANCE RADIANCE SYSTEM		
TWO PLACE DECIMAL: #01	DRAWN	9/22/06			
FUNCTIONAL: #04	MIGUELLOTTA		SEE BOM		
ANGULAR: #07	REP/ENG				
SURFACE FINISH: #030	MIGUELLOTTA		SEE BOM		
BREAK EDGES: #05-010	REP/ENG				
TITULAR:		REP/ENG	SCALE 1:4		
NAME		DATE/ENG			
DO NOT SCALE DRAWING		SCALE 1:4	CAD FILE	SHEET	TOTL

FilePath: