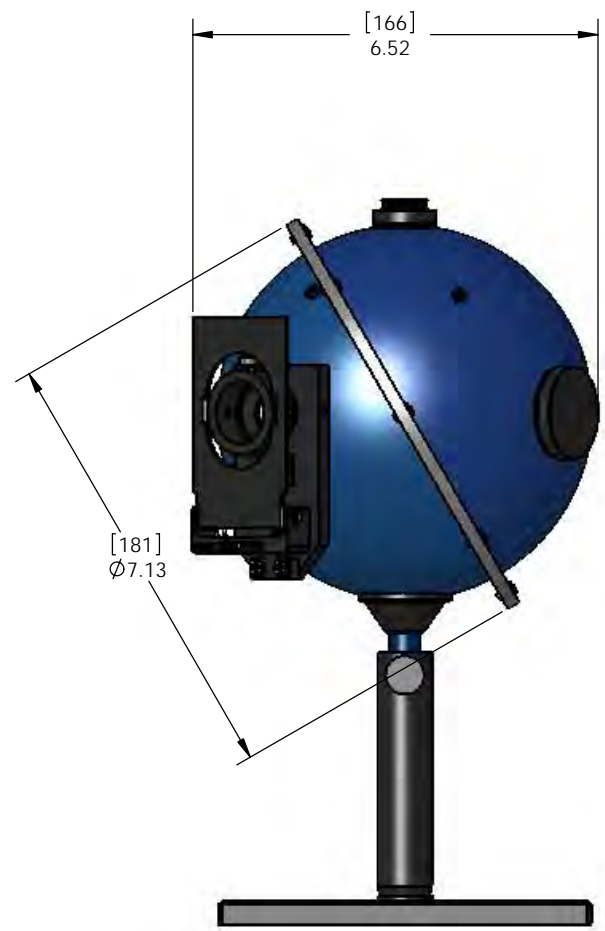
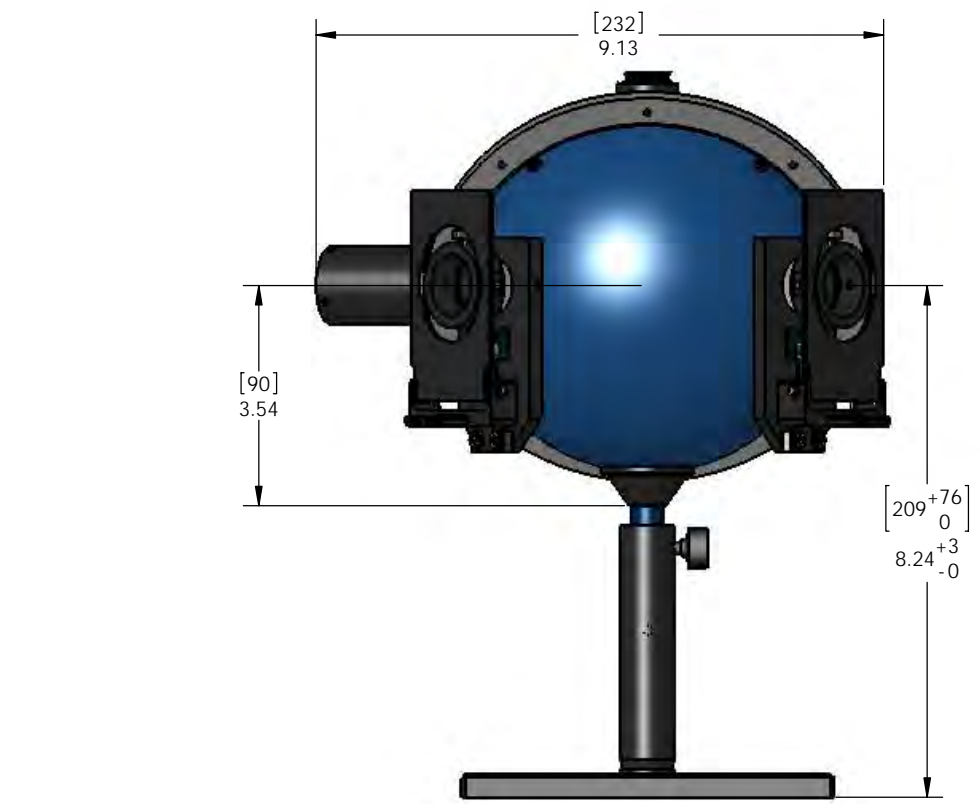
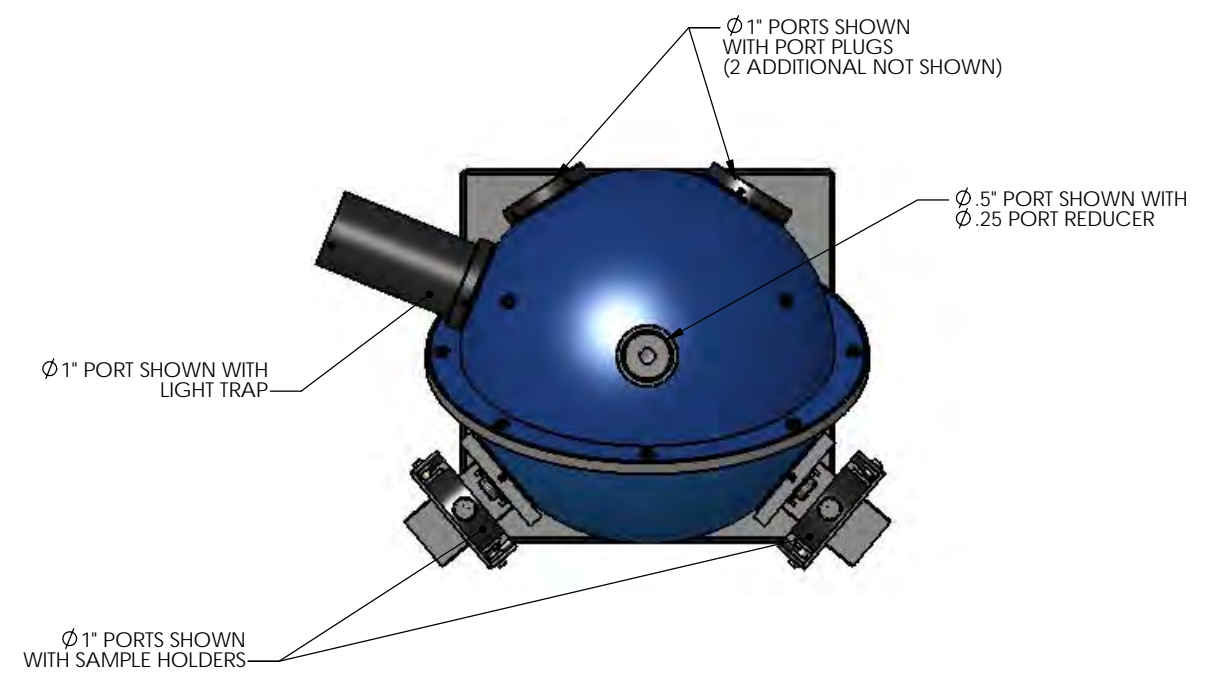


8 7 6 5 4 3 2 1

REVISIONS			
REV.	DESCRIPTION	DATE	APPROVED
1	INITIAL RELEASE	10/26/2004	R.MONTMINY

NOTE:
1 - DIMENSIONS SHOWN IN [MM]/INCHES



オーシャンフォトンクス株式会社 営業部 ラブスフェア課
 東京都新宿区西早稲田 3-30-16 ホリゾン 1 ビル
 TEL: 03-6278-9470 FAX: 03-6278-9480
 URL: <http://www.oceanphotonics.com> E-mail: sales@oceanphotonics.com

UNLESS OTHERWISE SPECIFIED DIMENSIONS ARE IN INCHES TOLERANCES ARE: FRACTIONS DECIMALS ANGLES ±1/64 .XX ±0.03 ±30' .XXX ±0.015	THE INFORMATION CONTAINED IN THIS DRAWING IS THE SOLE PROPERTY OF labsphere, INC. ANY REPRODUCTION IN PART OR IN WHOLE WITHOUT THE WRITTEN PERMISSION OF labsphere, INC. IS PROHIBITED.	labsphere PO BOX 70, NORTH SUITON, NH 03260
CAD GENERATED DRAWING. DO NOT MANUALLY UPDATE MATERIAL	RT-060-SF (MOD)	
APPROVALS	DATE	SIZE C SCALE 1:2 SHEET 1 OF 1
RESP'NG: R.MONTMINY	10/26/2004	DWG. NO. AS-02484-100 CUD ^{REV} 1
CHECKED/APP'VD: R.MURRAY	10/26/2004	
DO NOT SCALE DRAWING		

8 7 6 5 4 4 3 2 1